



## Main Features:-

- ◆ AISI 316 (Casting)
- ◆ 1/4" to 4"
- ◆ BSP F-F Threaded Ends (80406—NPT)
- ◆ Working Temperature -20 to + 220C \*
- ◆ Max. Working pressure 20 Bar

\*Temperature and pressure determined by valve body, seat etc.



## Suitable Applications & Approvals:



HVAC



OIL



GAS



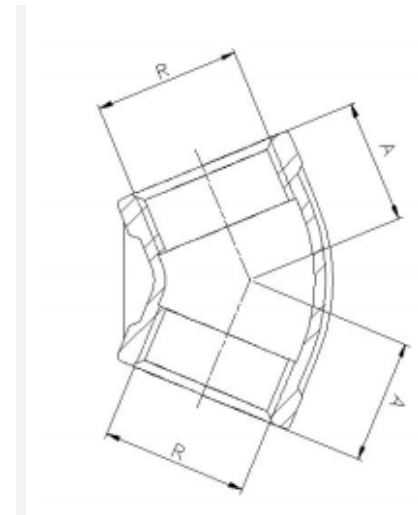
INDUSTRY

## SERIES: 80405

MANUFACTURER: **GENEBRE**

VALVE MATERIALS & DIMENSIONS

Ref	SIZE	A
80405-02	1/4"	17
80405-03	3/8"	19
80405-04	1/2"	21
80405-05	3/4"	25
80405-06	1"	29
80405-07	1 1/4"	33
80405-08	1 1/2"	37
80405-09	2"	42
80405-10	2 1/2"	49



## ALLVALVES

Offering a full range of actuated valve packages, manual valve range, pipe fittings and pumps, we have a product for all your requirements. As an ISO 9001-2015 Quality Approved and certified company, All Valves offer a quality service from pre-sale to post sale. Shipping millions of pounds in value of manual valve and actuated valve packages all over the world since its formation, All Valves are a trusted valve and actuator supplier to many companies all over the world. Working with the leading brands in most industries.



T +44 (0)1386 552369

E sales@allvalves.co.uk

W www.allvalves.co.uk

F +44 (0)1386 554227